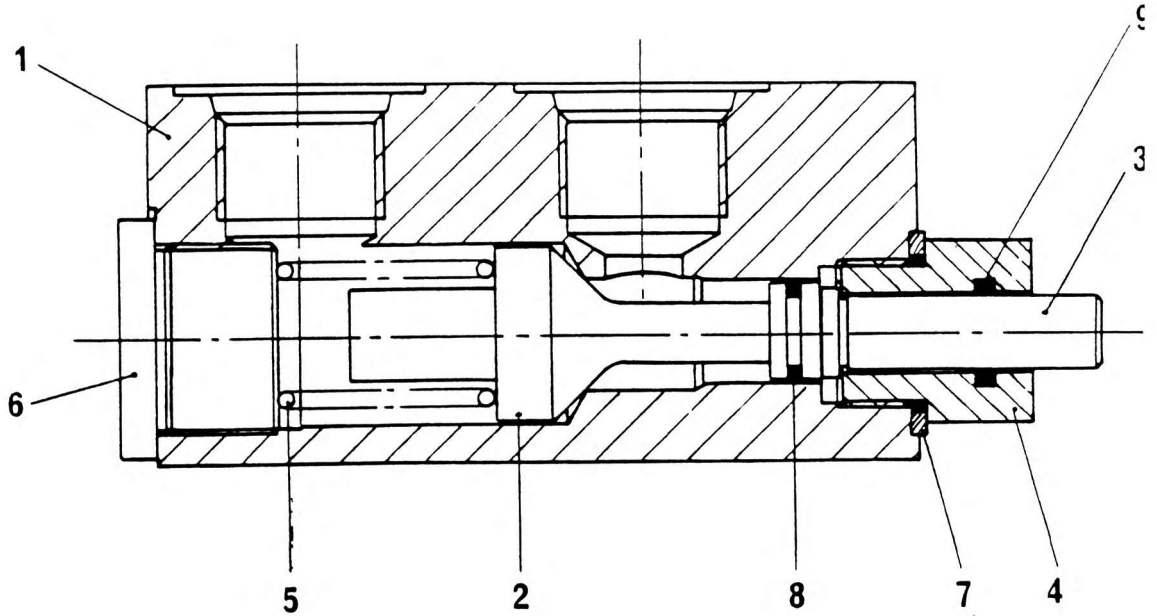


CAM OPERATED CHECK VALVE



NO.	PART NO.	QTY.	DESCRIPTION	NO.	PART NO.	QTY.	DESCRIPTION
-	7-926-990466	1	Complete Assembly				
*	9-926-107361	1	Service Kit				
1	N/S	1	Valve Body				
2	N/S	1	Spool				
3	9-926-107131	1	Actuator				
4	9-926-107132	1	Retainer				
5 *	9-926-107133	1	Spring				
6	9-926-107134	1	Blank Plug 1/4" BSP				
7 *	9-926-107135	1	Dowty Seal M20				
8 *	9-926-107136	1	'O' Ring				
9 *	9-926-107360	1	'O' Ring				

N/S - Not Serviced

7-926-990466
Issue No. 00